



ARNOLD & SON

1764

Instruction Booklet
LUNA MAGNA

LUNA MAGNA

Thank you for choosing Arnold & Son! We are proud to have you as Owner of the Luna Magna.

Luna Magna features our first three-dimensional moon. With this original timepiece, we aim to make a lasting impression by presenting the largest rotating moon ever created in relief for a wristwatch. Beneath an off-centred dial at 12 o'clock, which constitutes one of our House's aesthetic signatures, we have placed a rotating sphere that accurately represents the appearance of the quarters of the moon.

Arnold & Son has an ancient, long-standing relationship with the phases of the moon. Guided by the life of John Arnold, known as one of the most innovative watchmakers of the 18th century and the mark he made in the Royal Navy, we have frequently endeavoured to depict the age of the moon as accurately and as beautifully as possible. By completely reinventing the way the Earth's satellite is shown, Luna Magna elevates itself by pushing the boundaries of this astronomical and poetic watchmaking exercise.

As for each Arnold & Son's timepiece, Luna Magna was born in our Manufacture of La Chaux-de-Fonds (Switzerland). Designed, produced, and assembled by our skilful designers, engineers, and watchmakers.

I. Operation

Displays

Your watch shows the hours and minutes with its two hands in a subdial at noon.

Perpetual moon phase :

Your watch displays the moon with a large spherical animation at 6 o'clock and the age of moon on an indicator on the back of your watch.

The moon phase indication is highly accurate, with only one day's deviation every 122 years.

One orbit of the moon round the Earth, which brings the moon back to its original position as seen by an observer on Earth, takes on average 29.53059 days. To be precise, 29 days, 12 hours, 44 minutes and 2.9 seconds.

Lunar phases are the result of looking at the illuminated half of the moon from changing viewing geometries, as the moon orbits the Earth. The 8 key stages of the moon during its revolution around Earth are shown on the indicator on the back of your watch.



- | | |
|--------------------|--------------------|
| 1. New moon | 5. Full moon |
| 2. Waxing crescent | 6. Waning gibbous |
| 3. First quarter | 7. Third quarter |
| 4. Waxing gibbous | 8. Waning crescent |

Winding

The movement can be wound by turning the crown when it is in its winding position 1.



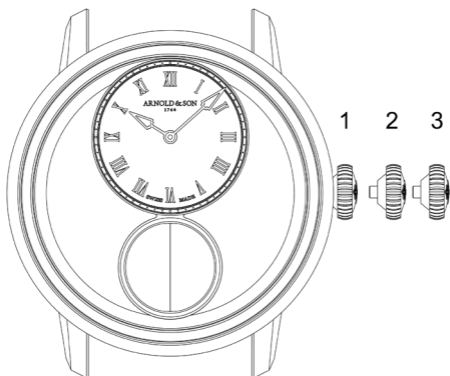
We suggest that you wind your timekeeper every 90 hours at the latest, so as to provide it with the power it requires to operate for the next 90 hours. This is how you will keep your timekeeper in a state of constant and accurate operation.

If your timekeeper has stopped, you will need to wind the crown approximately 40 times to wind it up fully.

Note: as soon as you feel resistance to winding, stop immediately; the movement is fully wound.

Setting

Intuitive to read and adjust, the Luna Magna features a three-position crown system. The first position of the crown is used to manually wind the movement, the second position sets the moon phase and the final position is used to set the time (hour and minute hands). Both can be adjusted forwards and backwards.



Time

Pull the crown to position 3 and turn it in a clockwise or anti-clockwise direction.

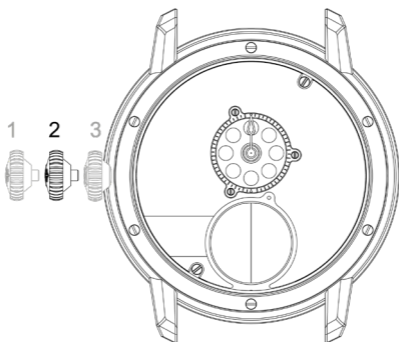
Note: do not forget to push the crown back to its winding position when you have set it, in order to guarantee the water-resistance of your timekeeper.

Perpetual Moon

The moon phase indication of your watch is highly accurate. Once correctly set, it only deviates by one day every 122 years.

The moon phase indication can be corrected without interfering with the time display. Pull the crown to position 2 and turn it in a clockwise or anti-clockwise direction.

To set the moon precisely, take your timekeeper and turn it back in order to see the moon indicator and position the hand on the desired moon phase.



You can change your moon phase indication at any time without risk of damaging the movement.

Note: do not forget to push the crown back to its winding position when you have set it, in order to guarantee the water-resistance of your timekeeper.

II. Technical characteristics

Movement

Equipped with the A&S1021 hand-winding calibre, your watch indicates the hours, minutes, astronomical three-dimensional moon phases (one-day correction required every 122 years) and precision moon phases setting indicator on the back.

Decorated in accordance with the codes of Swiss Haute Horlogerie, the movement has finely decorated bridges with Côtes de Genève rayonnantes and hand-chamfered and polished edges.

With fine-setting via a micrometric screw, the movement has been specially set by our watchmakers in 5 positions in order to make it operate with optimum accuracy.

- A&S1021 calibre
- Mechanical hand-winding movement
- Functions: hours, minutes, moon phases and age of the moon
- 35 jewels
- Diameter: 37.60 mm
- Thickness: 4.75 mm (12.00 mm with three-dimensional moon)
- Power reserve: 90 h minimum
- 3 Hz / 21,600 vibrations/h
- Set to 5 positions

Water-resistance

Your watch is guaranteed to be water-resistant to 3 ATM. This means that it has been verified at a pressure equivalent to immersion at 30 meters. It has been designed to be water-resistant for swimming only and should not be used for deep-sea diving, diving or sports that have a high risk of major shocks, such as windsurfing or waterskiing. It should be noted that leather straps are not suitable for water sports.

After use in sea water, clean your watch properly in fresh water and a little soap, and then rinse it and dry it with a soft cloth.

The water-resistance of your timekeeper can, moreover, be affected by shocks (falls, etc.) or aggressive substances (acids, perfumes, cosmetics, liquid metals, etc.). We therefore recommend that you have the water-resistance of your timekeeper verified once a year, or after it has been subject to a shock, in order to guarantee its original water-resistance properties.

If water penetrates within the case, or if you notice any sign of humidity, please take your timekeeper to a certified Arnold & Son agent without delay.

III. Maintenance

Your timekeeper has a mechanical movement which requires a certain amount of care and adequate maintenance. It should be kept from violent shocks, in particular.

The movement in your watch must be serviced at regular intervals because oils change viscosity over time and this impedes its smooth operation and speeds up wear and tear.

We therefore recommend that you have your timekeeper fully serviced by a certified Arnold & Son agent every four to five years in order to guarantee its precision and reliability. Only such agent is authorized to certify its service with a specific date stamp.

Arnold & Son
Manufacture La Joux-Perret SA
2300 La Chaux-de-Fonds - Switzerland
www.arnoldandson.com
info@arnoldandson.com